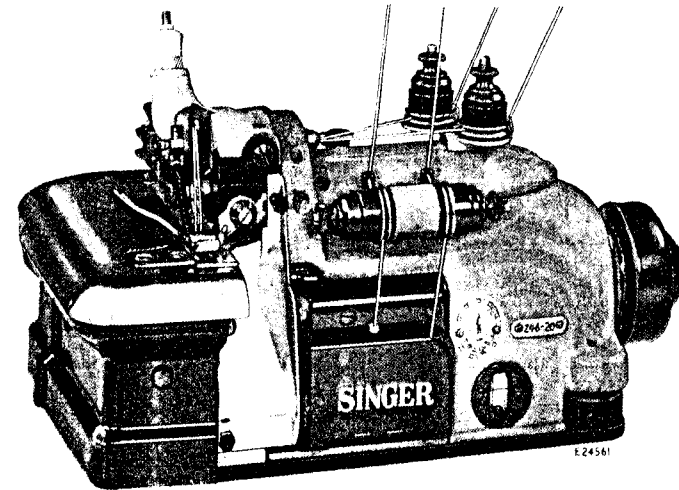


SINGER
246-20

FOR



MACHINE No. 246-20

FOR TRIMMING AND OVEREDGING BATHING SUITS, HOUSE DRESSES AND SIMILAR ARTICLES. TWO NEEDLES, TWO LOOPERS. MAKES A FOUR-THREAD DUAL-STITCH. DISTANCE BETWEEN NEEDLES IS FIXED AT .109 INCHES. BIGHT 3/32" TO 7/32" FROM NEEDLE. MATERIAL UP TO 1/4 INCH IN THICKNESS CAN BE STITCHED. SPEED UP TO 5000, DEPENDING ON MATERIALS USED AND OPERATIONS PERFORMED.

| No. | Plate | Name |
|---------|-------|---|
| 164864 | 24881 | Chain Cutter Chain Retainer (spring)..... |
| 665J | 24881 | Chain Cutter Chain Retainer (spring) Screw |
| 164865 | 24881 | Chain Cutter with Chain Retainer complete, Nos. 164861, 164863, 164864 and two 665J..... |
| 164863 | 24881 | Chain Cutter Holder..... |
| 164861 | 24881 | Chain Cutter Knife |
| 665J | 24881 | Chain Cutter Knife Screw |
| 164001 | 24878 | Chip Guard..... |
| 1209J | 24878 | Chip Guard Screw (lower)..... |
| 140509J | 24878 | Chip Guard Screw (upper)..... |
| 164613 | 24878 | Cloth Plate..... |
| 164002 | 24878 | Cloth Plate Extension..... |
| 51408J | 24878 | Cloth Plate Extension Screw (2) |
| 1700J | 24878 | Cloth Plate Extension Screw Nut..... |
| 931084 | 24878 | Cloth Plate Extension Screw Nut Lock Washer |
| 164205 | 24878 | Cloth Plate Lock Spring..... |
| 1700J | 24878 | Cloth Plate Lock Spring Nut..... |
| 931084 | 24878 | Cloth Plate Lock Spring Nut Lock Washer.. |
| 1250AL | 24878 | Cloth Plate Lock Spring Screw Stud |
| 164104 | 24878 | Cloth Plate Plunger |
| 164105 | 24878 | Cloth Plate Plunger Spring..... |
| 624AL | 24878 | Cloth Plate Plunger Set Screw..... |
| 164106 | 24878 | Cloth Plate Position Collar with two 624AL |
| 624AL | 24878 | Cloth Plate Position Collar Set Screw (2) .. |
| 164614 | 24878 | Cloth Plate with Extension complete, Nos. 164002, 164205, 164613 and two each 1700J, 51408J and 931084..... |

82262

| No. | Plate | Name |
|--------|-------|--|
| 164003 | 24879 | Feed Bar Hinge Pin (eccentric)..... |
| 1389C | 24879 | Feed Bar Hinge Pin Set Screw..... |
| 164004 | 24879 | Feed Bar Slide Block (back) (2)..... |
| 1628C | 24879 | Feed Bar Slide Block (back) Nut..... |
| 17022 | 24879 | Feed Bar Slide Block (back) Nut Washer.. |
| 164366 | 24879 | Feed Bar Slide Block (front)..... |
| 164687 | 24879 | Feed (back) Bar with 164010..... |
| 164017 | 24879 | Feed (back) Bar Connection..... |
| 164008 | 24879 | Feed (back) Bar Connection Bearing..... |
| 164009 | 24879 | Feed (back) Bar Connection Hinge Screw Stud..... |
| 1671C | 24879 | Feed (back) Bar Connection Hinge Screw Stud Nut..... |
| 164010 | 24879 | Feed (back) Bar Connection Hinge Screw Stud Position Pin..... |
| 164615 | 24886 | Feed (back) Dog Section (left)..... |
| 164616 | 24886 | Feed (back) Dog Section (right)..... |
| 1100AL | 24886 | Feed (back) Dog Section (right) Screw.... |
| 164617 | 24886 | Feed (back) Dog complete, Nos. 1100AL, 164615 and 164616..... |
| 1454F | 24886 | Feed (back) Dog Screw..... |
| 164020 | 24879 | Feed (back) Eccentric..... |
| | | NOTE: Feed (back) Eccentric No. 164020 is furnished in 6 to 16, 18, 20, 22, 24, 28, 32 and 36 stitches to the inch. |
| 164006 | 24879 | Feed (front) Bar with 164010..... |
| 164007 | 24879 | Feed (front) Bar Connection..... |
| 164018 | 24879 | Feed (front) Bar Connection Bearing..... |
| 164009 | 24879 | Feed (front) Bar Connection Hinge Screw Stud..... |
| 1671C | 24879 | Feed (front) Bar Connection Hinge Screw Stud Nut..... |
| 164010 | 24879 | Feed (front) Bar Connection Hinge Screw Stud Position Pin..... |
| 164370 | ----- | Feed (back) and (front) Bars complete, Nos. 164006, 164007, 164008, 164017, 164018, 164366, 164687 and two each 1671C, 164004 and 164009..... |
| 164618 | 24886 | Feed (front) Dog..... |
| 1454F | 24886 | Feed (front) Dog Screw..... |
| 164020 | 24879 | Feed (front) Eccentric..... |
| | | NOTE: Feed (front) Eccentric No. 164020 is furnished in 6 to 16, 18, 20, 22, 24, 28, 32 and 36 stitches to the inch. |
| 164520 | 24879 | Feed Eccentric Cover..... |
| 164399 | 24879 | Feed Eccentric Cover Bracket with 164023 |
| 157C | 24879 | Feed Eccentric Cover Bracket Screw..... |
| 629K | 24879 | Feed Eccentric Cover Hinge Screw..... |
| 164401 | 24879 | Feed Eccentric Cover Latch Spring..... |
| 227J | 24879 | Feed Eccentric Cover Latch Spring Screw (2)..... |
| 164023 | 24879 | Feed Eccentric Oil Wick..... |
| 164521 | 24879 | Feed Eccentric Cover complete, for use with eccentrics of 4 stitches and above, Nos. 629K, 164399, 164401, 164520 and two 227J..... |

| No. | Plate | Name |
|----------|-------|--|
| 164372 | 24880 | Feed Lifting and Knife (movable) Lever Eccentric..... |
| 164455 | 24881 | Finger Guard..... |
| 164456 | 24881 | Finger Guard Adaptor..... |
| 1259AL | 24884 | Finger Guard Adaptor Screw..... |
| 1423J | 24881 | Finger Guard Screw..... |
| 164556 | 24882 | Knife (movable) <i>Lever</i> |
| 164027 | 24882 | Knife (movable) Clamp..... |
| 140050C | 24882 | Knife (movable) Clamp Screw..... |
| 164028 | 24882 | Knife (movable) Guard (lower)..... |
| 164458 | 24882 | Knife (movable) Guard (upper)..... |
| 164029 | 24882 | Knife (movable) Holder..... |
| 198J | 24882 | Knife (movable) Holder Screw..... |
| 164030 | 24882 | Knife (movable) Holder Screw Bearing.... |
| 164714 | 24882 | Knife (movable) Lever with 620AL..... |
| 164715 | ----- | Knife (movable) Lever 164714 with 132583, 164035, 164136 and 164153..... |
| 164032 | 24882 | Knife (movable) Lever Bearing..... |
| 447AL | 24882 | Knife (movable) Lever Bearing Set Screw (long)..... |
| 624AL | 24882 | Knife (movable) Lever Bearing Set Screw (short)..... |
| 164373 | 24884 | Knife (movable) Lever Cover and Presser Bar (upright) Housing with 1259AL..... |
| 50073J | 24884 | Knife (movable) Lever Cover and Presser Bar (upright) Housing Screw (2)..... |
| 164885 | ----- | Knife (movable) Lever Cover and Presser Bar (upright) Housing complete, Nos. 50060K, 164137, 164139, 164142, 164143, 164144, 164194, 164373 and 164884..... |
| 164180 | 24881 | Knife (movable) Lever Guide..... |
| 164181 | 24881 | Knife (movable) Lever Guide Holder with two 140239AL..... |
| 164824 | 24881 | Knife (movable) Lever Guide Holder 164181 with 197J, 164180, 164823 and 164827..... |
| 140239AL | 24881 | Knife (movable) Lever Guide Holder Set Screw..... |
| 164823 | 24881 | Knife (movable) Lever Guide Holder Thread Tube..... |
| 447AL | 24881 | Knife (movable) Lever Guide Holder Thread Tube Set Screw..... |
| 197J | 24881 | Knife (movable) Lever Guide Screw..... |
| 132583 | 24882 | Knife (movable) Lever Hinge Pin with 132584..... |
| 132584 | 24882 | Knife (movable) Lever Hinge Pin Oil Wick |
| 620AL | 24882 | Knife (movable) Lever Hinge Pin Set Screw..... |
| 164034 | 24882 | Knife (movable) Lever Hinge Stud..... |
| 164035 | ----- | Knife (movable) Lever Hinge Stud 164034 with 164036 and 164269..... |
| 164036 | 24882 | Knife (movable) Lever Hinge Stud Oil Wick (long)..... |
| 164269 | ----- | Knife (movable) Lever Hinge Stud Oil Wick (short)..... |

| No. | Plate | Name |
|----------|-------|--|
| 447AL | 24882 | Knife (movable) Lever Hinge Stud Set Screw (back)..... |
| 1143AL | 24882 | Knife (movable) Lever Hinge Stud Set Screw (top)..... |
| 164728 | 24882 | Knife (stationary) wide (2). <i>upper</i> |
| 164744 | 24882 | Knife (stationary) Clamping Gib..... |
| 140788C | 24882 | Knife (stationary) Clamping Gib Screw.... |
| 3146 | 24882 | Knife (stationary) Clamping Gib Screw Washer..... |
| 164746 | 24882 | Knife (stationary) Holder..... |
| 164747 | ----- | Knife (stationary) Holder (adjustable) complete, Nos. 742F, 164745 and 164746 |
| 164748 | 24882 | Knife (stationary) Holder (adjustable) with Gib complete, Nos. 3146, 140788C, 164744 and 164747..... |
| 164590 | 24882 | Knife (stationary) Holder Adjusting Stud .. |
| 190E | 24882 | Knife (stationary) Holder Adjusting Stud Cap Screw..... |
| 39541 | 24882 | Knife (stationary) Holder Adjusting Stud Cap Screw Washer..... |
| 164745 | 24882 | Knife (stationary) Holder Body with two 50611C..... |
| 50611C | 24882 | Knife (stationary) Holder Position Screw (2) |
| 742F | 24882 | Knife (stationary) Holder Screw..... |
| 164042 | 24882 | Knife (stationary) Holder Sleeve |
| 140088E | 24882 | Knife (stationary) Holder Sleeve Screw ... |
| 175032 | 24882 | Knife (stationary) Holder Sleeve Screw Washer |
| 164043 | 24882 | Knife (stationary) Holder Spring |
| 164525 | 24882 | Knife (stationary) Holder Spring Stud |
| 164619 | 24883 | Looper (left hand) <i>(Bolt)</i> |
| 164046 | 24883 | Looper (left hand) Carrier with 460AL, 50379F and 164202 |
| 164660 | 24883 | Looper (left hand) Carrier Holder with 1083C, 140393AL and 140596AL |
| 164661 | ----- | Looper (left hand) Carrier Holder 164660 with 1324C, 59456 and 164046 |
| 1083C | 24883 | Looper (left hand) Carrier Holder Clamp- ing Screw..... |
| 140596AL | ----- | Looper (left hand) Carrier Holder Set Screw (left) |
| 140393AL | 24883 | Looper (left hand) Carrier Holder Set Screw (right) |
| 1324C | 24883 | Looper (left hand) Carrier Screw |
| 460AL | 24883 | Looper (left hand) Carrier Screw Set Screw..... |
| 59456 | 24883 | Looper (left hand) Carrier Screw Washer.. |
| 164048 | 24883 | Looper (left hand) Driving Shaft..... |
| 164049 | 24883 | Looper (left hand) Driving Shaft Bushing (back)..... |
| 140394E | 24883 | Looper (left hand) Driving Shaft Bushing (back) Cap Screw..... |
| 164293 | 24883 | Looper (left hand) Driving Shaft Bushing (back) Cap Screw Washer..... |

| No. | Plate | Name |
|----------|-------|---|
| 164737 | 24883 | Looper (left hand) Driving Shaft Bushing (front)..... |
| 164051 | 24883 | Looper (left hand) Driving Shaft Crank with 1083C..... |
| 1083C | 24883 | Looper (left hand) Driving Shaft Crank Clamping Screw |
| 164052 | 24880 | Looper (left hand) Driving Shaft Crank Connection with two each 171AL and 140159AL |
| 164215 | ----- | Looper (left hand) Driving Shaft Crank 164051 with 164052..... |
| 171AL | 24880 | Looper (left hand) Driving Shaft Crank Connection Cap (lower) Screw (2) |
| 140159AL | 24880 | Looper (left hand) Driving Shaft Crank Connection Cap (upper) Screw (2) |
| 164067 | 24883 | Looper (left hand) Driving Shaft Crank Key |
| 1324C | 24883 | Looper (left hand) Driving Shaft Crank Key Screw |
| 45057 | 24883 | Looper (left hand) Driving Shaft Crank Key Screw Washer..... |
| 164053 | 24883 | Looper (left hand) Driving Shaft Crank Thrust Bearing |
| 164739 | 24883 | Looper (left hand) Driving Shaft Oil Ring (rubber)..... |
| 164740 | 24883 | Looper (left hand) Driving Shaft Oil Ring Spacer |
| 50379F | 24883 | Looper (left hand) Set Screw..... |
| 164202 | 24883 | Looper (left hand) Stop Pin |
| 164054 | 24886 | Looper (left hand) Thread Tube |
| 853AL | 24886 | Looper (left hand) Thread Tube Set Screw .. |
| 164375 | 24883 | Looper (right hand) <i>(Screw)</i> |
| 164056 | 24883 | Looper (right hand) Carrier with 50370AL.. |
| 164828 | 24883 | Looper (right hand) Carrier Connection... |
| 164829 | ----- | Looper (right hand) Carrier Connection Guide Bar Nos. 1700J, 50420AL, 164785, 164786 and 164828 |
| 164597 | 24883 | Looper (right hand) Carrier Connection Guide Bar Bracket with two 462AL. |
| 914C | 24883 | Looper (right hand) Carrier Connection Guide Bar Bracket Screw (left)..... |
| 1057AL | 24883 | Looper (right hand) Carrier Connection Guide Bar Bracket Screw (right) |
| 462AL | 24883 | Looper (right hand) Carrier Connection Guide Bar Set Screw (2)..... |
| 164785 | 24883 | Looper (right hand) Carrier Connection Guide Bar Oil Controlling Screw Seat (brass)..... |
| 50420AL | 24883 | Looper (right hand) Carrier Connection Guide Bar Oil Plug Screw..... |
| 1700J | 24883 | Looper (right hand) Carrier Connection Guide Bar Oil Plug Screw Nut..... |
| 164786 | 24883 | Looper (right hand) Carrier Connection Guide Bar Oil Wick |
| 164061 | 24883 | Looper (right hand) Carrier Connection Hinge Stud with 1019AL..... |

| No. | Plate | Name |
|----------|-------|--|
| 1443J | 24883 | Looper (right hand) Carrier Connection Hinge Stud Cap Screw..... |
| 164397 | 24883 | Looper (right hand) Carrier Connection Hinge Stud Adjusting Pin..... |
| 1019AL | ---- | Looper (right hand) Carrier Connection Hinge Stud Adjusting Pin Set Screw..... |
| 132565 | 24883 | Looper (right hand) Carrier Hinge Pin ... |
| 50370AL | 24883 | Looper (right hand) Carrier Hinge Pin Set Screw..... |
| 164062 | 24883 | Looper (right hand) Driving Lever with 1083C and two 140596AL..... |
| 164830 | ---- | Looper (right hand) Driving Lever 164062 with 1443J, 1700J, 132565, 164056, 164061, 164068, 164397, 164597 and 164829..... |
| 1083C | 24883 | Looper (right hand) Driving Lever Clamping Screw |
| 140596AL | 24883 | Looper (right hand) Driving Lever Set Screw (2) |
| 164063 | 24883 | Looper (right hand) Driving Shaft..... |
| 164049 | 24883 | Looper (right hand) Driving Shaft Bushing (back) |
| 140394E | 24883 | Looper (right hand) Driving Shaft Bushing (back) Cap Screw |
| 164293 | 24883 | Looper (right hand) Driving Shaft Bushing (back) Cap Screw Washer..... |
| 164738 | 24883 | Looper (right hand) Driving Shaft Bushing (front)..... |
| 164066 | 24883 | Looper (right hand) Driving Shaft Crank with 1083C |
| 164216 | ---- | Looper (right hand) Driving Shaft Crank 164066 with 164052..... |
| 1083C | 24883 | Looper (right hand) Driving Shaft Crank Clamping Screw..... |
| 164052 | 24880 | Looper (right hand) Driving Shaft Crank Connection with two each 171AL and 140159AL |
| 171AL | 24880 | Looper (right hand) Driving Shaft Crank Connection Cap (lower) Screw (2)..... |
| 140159AL | 24880 | Looper (right hand) Driving Shaft Crank Connection Cap (upper) Screw (2)..... |
| 164067 | 24883 | Looper (right hand) Driving Shaft Crank Key |
| 1324C | 24883 | Looper (right hand) Driving Shaft Crank Key Screw..... |
| 45057 | 24883 | Looper (right hand) Driving Shaft Crank Key Screw Washer |
| 164053 | 24883 | Looper (right hand) Driving Shaft Crank Thrust Bearing |
| 164739 | 24883 | Looper (right hand) Driving Shaft Oil Ring (rubber)..... |
| 164740 | 24883 | Looper (right hand) Driving Shaft Oil Ring (spacer) |
| 164068 | 24883 | Looper (right hand) Locking Screw Stud .. |
| 1700J | 24883 | Looper (right hand) Locking Screw Stud Nut..... |

| No. | Plate | Name |
|----------|-------|--|
| 164219 | 24883 | Looper (right hand) Position Collar with 904AL..... |
| 904AL | 24883 | Looper (right hand) Position Collar Set Screw..... |
| *164072 | ---- | Machine Frame |
| *164526 | ---- | Machine Frame complete, Nos. 140396E, 164072, 164077, 164528 and three 140395C |
| 164074 | 24813 | Machine Frame Bottom Cover |
| 164075 | 24813 | Machine Frame Bottom Cover Gasket..... |
| 914C | 24813 | Machine Frame Bottom Cover Screw (13) .. |
| *164527 | ---- | Machine Frame Bracket..... |
| *164528 | ---- | Machine Frame Bracket 164527 with 164207 and two 187E..... |
| 164207 | 24860 | Machine Frame Bracket Key..... |
| 187E | 24860 | Machine Frame Bracket Key Screw (2) ... |
| 140396E | 24860 | Machine Frame Bracket Screw (large).... |
| 164077 | 24860 | Machine Frame Bracket Screw (large) Washer (fiber)..... |
| 164229 | 24860 | Machine Frame Bracket Screw (large) Washer (felt) |
| 140395C | 24860 | Machine Frame Bracket Screw (small) (3) |
| 164515 | 24813 | Machine Frame Cover (back)..... |
| 50571J | 24813 | Machine Frame Cover (back) Screw (long) (2)..... |
| 914J | 24813 | Machine Frame Cover (back) Screw (short) |
| 164516 | 24813 | Machine Frame Cover (back) 164515 with 1637K and 140228C |
| 164081 | 24860 | Machine Frame Oil Lead..... |
| 140088E | 24860 | Machine Frame Oil Lead Screw..... |
| 1698J | 24860 | Machine Frame Oil Lead Screw Nut |
| 164082 | 24860 | Machine Frame Oil Plug Bracket..... |
| 140346AL | 24860 | Machine Frame Oil Plug Bracket Set Screw..... |
| 164083 | 24860 | Machine Frame Oil Screen |
| 206J | 24860 | Machine Frame Oil Screen Screw (3)..... |
| 164608 | 24860 | Machine Frame Oil Splash Guard (internal) |
| 164605 | 24860 | Machine Frame Oil Splash Guard (internal) Oil Pad..... |
| 164606 | 24860 | Machine Frame Oil Splash Guard (internal) Oil Pad Fastener |
| 164609 | 24860 | Machine Frame Oil Splash Guard (internal) complete, Nos. 164605, 164606 and 164608 |
| 164620 | 24884 | Machine Frame Oil Splash Guard (top).... |
| 51023W | 24884 | Machine Frame Oil Splash Guard (top) Screw (2)..... |
| 164722 | 24860 | Machine Frame Oil Tube with 164602..... |
| 447AL | 24860 | Machine Frame Oil Tube Set Screw..... |
| 164602 | 24860 | Machine Frame Oil Tube Wick..... |
| 164376 | 24880 | Machine Frame Rotary Shaft..... |
| 164377 | ---- | Machine Frame Rotary Shaft 164376 with 164097, 164215, 164216, 164217 and two each 164093 and 164232 |
| 139026 | 24880 | Machine Frame Rotary Shaft Ball Bearing |
| 164092 | 24880 | Machine Frame Rotary Shaft Ball Bearing Housing |

| No. | Plate | Name |
|---------|-------|---|
| 51369C | 24880 | Machine Frame Rotary Shaft Ball Bearing Housing Screw (3)..... |
| 164093 | 24880 | Machine Frame Rotary Shaft Ball Sleeve (two pieces) (2) |
| 164232 | 24880 | Machine Frame Rotary Shaft Ball Sleeve Guide (2) |
| 164600 | 24880 | Machine Frame Rotary Shaft Bushing (front)..... |
| 1036AL | 24880 | Machine Frame Rotary Shaft Bushing (front) Set Screw..... |
| 164095 | 24880 | Machine Frame Rotary Shaft Bushing (intermediate)..... |
| 51332C | 24880 | Machine Frame Rotary Shaft Bushing (intermediate) Set Screw..... |
| 164096 | 24880 | Machine Frame Rotary Shaft Counter-balance with 1036AL..... |
| 1036AL | 24880 | Machine Frame Rotary Shaft Counter-balance Set Screw..... |
| 164097 | 24880 | Machine Frame Rotary Shaft Key..... |
| 51649C | 24880 | Machine Frame Rotary Shaft Nut..... |
| 131056 | 24880 | Machine Frame Rotary Shaft Nut Washer.. |
| 164098 | 24880 | Machine Frame Rotary Shaft Oil and Ball Bearing Grease Retainer..... |
| 164099 | 24880 | Machine Frame Rotary Shaft Screw Stud.. |
| 164100 | 24880 | Machine Frame Rotary Shaft Thrust Bearing..... |
| 164101 | 24885 | Machine Frame Top Cover..... |
| 164214 | ----- | Machine Frame Top Cover 164101 with 330J, 164103 and two 164418..... |
| 164102 | 24885 | Machine Frame Top Cover Gasket..... |
| 164103 | 24885 | Machine Frame Top Cover Oil Lead..... |
| 330J | 24885 | Machine Frame Top Cover Oil Lead Screw |
| 51369J | 24885 | Machine Frame Top Cover Screw (3)..... |
| 164231 | 24880 | Machine Pulley (3/8 in. "V" belt) with two 448AL..... |
| 164071 | 24880 | Machine Pulley Cap..... |
| 140416X | 24880 | Machine Pulley Cap Screw..... |
| 448AL | 24880 | Machine Pulley Set Screw (2)..... |
| 164621 | 24884 | Needle Clamp..... |
| 51768C | 24884 | Needle Clamping Nut..... |
| 175032C | 24884 | Needle Clamping Nut Washer..... |
| 164622 | 24884 | Needle Driving Shaft with 164625..... |
| 164684 | ----- | Needle Driving Shaft 164622 with 51768C, 164621, 164685 and 175032C..... |
| 164111 | 24884 | Needle Driving Shaft Bushing..... |
| 164112 | 24884 | Needle Driving Shaft Bushing Cap..... |
| 164113 | 24884 | Needle Driving Shaft Bushing Oil Lead..... |
| 452AL | 24884 | Needle Driving Shaft Bushing Oil Lead Hole Plug Screw..... |
| 164114 | 24884 | Needle Driving Shaft Crank with 1083C and two 140596AL..... |
| 164115 | 24884 | Needle Driving Shaft Crank Ball..... |
| 1083C | 24884 | Needle Driving Shaft Crank Clamping Screw..... |
| 164217 | 24880 | Needle Driving Shaft Crank Connection with 164115 and two each 157AL and 171AL..... |

| No. | Plate | Name |
|----------|-------|--|
| 157AL | 24880 | Needle Driving Shaft Crank Connection Cap (lower) Screw (2)..... |
| 171AL | 24880 | Needle Driving Shaft Crank Connection Cap (upper) Screw (2)..... |
| 140596AL | 24884 | Needle Driving Shaft Crank Set Screw (2). |
| 164685 | 24884 | Needle Holder..... <i>2 Screws w/ hole</i> |
| 164625 | 24884 | Needle Stop Pin..... |
| 164119 | 24880 | Oil Agitator..... |
| 164120 | 24860 | Oil Cooler with two 164125..... |
| 164121 | 24860 | Oil Cooler Cover..... |
| 164123 | 24860 | Oil Cooler Cover 164121 with 164135..... |
| 164122 | 24860 | Oil Cooler Cover Gasket..... |
| 145J | 24860 | Oil Cooler Cover Screw..... |
| 164124 | 24860 | Oil Cooler Gasket..... |
| 164125 | 24860 | Oil Cooler Oil Pipe (outlet, left)..... |
| 164125 | 24860 | Oil Cooler Oil Pipe (outlet, right)..... |
| 164126 | 24860 | Oil Cooler Oil Tube with 138269 and 164128..... |
| 164736 | ----- | Oil Cooler Oil Tube 164126 with 51630 and 164127..... |
| 164127 | 24860 | Oil Cooler Oil Tube Coupling..... |
| 51630 | 24860 | Oil Cooler Oil Tube Lock Nut..... |
| 138269 | 24860 | Oil Cooler Oil Tube Sleeve..... |
| 164128 | 24860 | Oil Cooler Oil Tube Wick..... |
| 51139J | 24860 | Oil Cooler Screw (long) (2)..... |
| 1324J | 24860 | Oil Cooler Screw (short)..... |
| 164135 | 24860 | Oil Cup for filling machine..... |
| 164607 | 24882 | Oil Deflector..... |
| 164131 | 24860 | Oil Sight Gauge Background Disc..... |
| 164132 | 24860 | Oil Sight Gauge Background Disc Gasket.. |
| 164133 | 24860 | Oil Sight Gauge Window..... |
| 164132 | 24860 | Oil Sight Gauge Window Gasket..... |
| 164134 | 24860 | Oil Sight Gauge Window Retainer..... |
| 164132 | 24860 | Oil Sight Gauge Window Retainer Gasket.. |
| 1485J | 24860 | Oil Sight Gauge Window Retainer Screw (2)..... |
| 164136 | 24882 | Presser Bar Bracket..... |
| 164137 | 24884 | Presser Bar Lifting Bracket with 462AL, 624AL and 51846..... |
| 51846 | 24884 | Presser Bar Lifting Bracket Roller and Stud..... |
| 624AL | 24884 | Presser Bar Lifting Bracket Set Screw (long)..... |
| 462AL | 24884 | Presser Bar Lifting Bracket Set Screw (short)..... |
| 164884 | 24884 | Presser Bar Lifting Lever..... |
| 164139 | 24884 | Presser Bar Lifting Lever Spring..... |
| 140228C | 24813 | Presser Bar Lifting Lever Stop Screw... |
| 1637K | 24813 | Presser Bar Lifting Lever Stop Screw Nut |
| 164640 | 24881 | Presser Bar (swing-out)..... |
| 164141 | 24881 | Presser Bar (swing-out) Lifting Screw Stud..... |
| 1700J | 24881 | Presser Bar (swing-out) Lifting Screw Stud Nut..... |
| 164142 | 24884 | Presser Bar (swing-out) Opening Lever.. |

| No. | Plate | Name |
|----------|-------|---|
| 50060K | 24884 | Presser Bar (swing-out) Opening Lever Hinge Screw..... |
| 140510C | 24881 | Presser Bar (swing-out) Pivot Screw |
| 164351 | 24881 | Presser Bar (swing-out) Pivot Screw Lock Washer |
| 51362AL | 24881 | Presser Bar (swing-out) Pivot Screw Lock Washer Screw |
| 164143 | 24884 | Presser Bar (upright)..... |
| 164144 | 24884 | Presser Bar (upright) Spring..... |
| 164626 | 24886 | Presser Foot Body..... |
| 164146 | 24886 | Presser Foot Chaining-off Finger..... |
| 164147 | 24886 | Presser Foot Clamping Plate..... |
| 164360 | 24886 | Presser Foot Guide |
| 50169J | 24886 | Presser Foot Guide Screw |
| 164627 | 24886 | Presser Foot with Chain Cutter complete, Nos. 50169J, 50225J, 164146, 164147, 164360 and 164626 |
| 50225J | 24886 | Presser Foot Screw |
| 164194 | 24884 | Pressure Regulating Thumb Screw |
| 2102 | 24885 | Tension (heavy) Disc (6)..... |
| 164155 | 24885 | Tension (heavy) Regulating Thumb Nut (3) |
| 50133C | 24885 | Tension (heavy) Screw Stud (3) |
| 1700J | 24885 | Tension (heavy) Screws Stud Nut (2) |
| 164156 | ----- | Tension (heavy) Screw Stud 50133C and 164155 (3)..... |
| 164161 | 24885 | Tension (heavy) Spring (3) |
| 59537 | 24885 | Tension (heavy) Spring Bushing (3) |
| 164158 | 24885 | Tension (heavy) Spring Cover (3)..... |
| 164162 | 24885 | Tension (heavy) complete, Nos. 59537, 164156, 164158, 164161 and two 2102 (3). |
| 2102 | 24885 | Tension (light) Disc (2)..... |
| 164155 | 24885 | Tension (light) Regulating Thumb Nut |
| 50133C | 24885 | Tension (light) Screw Stud |
| 164156 | ----- | Tension (light) Screw Stud 50133C with 164155..... |
| 164157 | 24885 | Tension (light) Spring |
| 59537 | 24885 | Tension (light) Spring Bushing..... |
| 164158 | 24885 | Tension (light) Spring Cover |
| 164160 | 24885 | Tension (light) complete, Nos. 59537, 164156, 164157, 164158 and two 2102.... |
| 164285 | 24885 | Tension (looper thread) Thread Guide (left) |
| 164286 | 24885 | Tension (looper thread) Thread Guide (right) |
| 164418 | 24885 | Tension Thread Eyelet (2) |
| 164628 | 24885 | Tension Thread Guide (double) |
| 1353AL | 24885 | Tension Thread Guide Screw |
| 164629 | 24885 | Tension Thread Guide Spacing Block |
| 164630 | 24885 | Tension (double) complete, Nos. 164628 and two each 1700J and 164162..... |
| 164825 | 24881 | Thread Eyelet (needle thread) |
| 164826 | 24881 | Thread Eyelet (needle thread) Holder |
| 164827 | ----- | Thread Eyelet (needle thread) Holder 164826 with 1607J and 164825..... |
| 1607J | 24881 | Thread Eyelet (needle thread) Nut |
| 140239AL | 24881 | Thread Eyelet (needle thread) Set Screw.. |

| No. | Plate | Name |
|--------|-------|--|
| 164091 | 24883 | Thread (looper, right hand) Stripper and Take-up with 164555..... |
| 164163 | 24761 | Thread (looper, right hand) Stripper and Take-up Eyelet (adjustable) |
| 1443J | 24761 | Thread (looper, right hand) Stripper and Take-up Eyelet (adjustable) Screw..... |
| 164555 | ----- | Thread (looper, right hand) Stripper and Take-up Guide Wire..... |
| 187E | 24883 | Thread (looper, right hand) Stripper and Take-up Screw..... |
| 17022 | 24883 | Thread (looper, right hand) Stripper and Take-up Screw Washer |
| 164164 | 24761 | Thread (looper, right hand) Thread Eyelet (movable)..... |
| 1423J | 24761 | Thread (looper, right hand) Thread Eyelet Screw..... |
| 164165 | 24761 | Thread (looper, right hand) Thread Eyelet (stationary) |
| 1607J | 24761 | Thread (looper, right hand) Thread Eyelet (stationary) Nut..... |
| 164166 | 24761 | Thread (looper, right hand) Tube..... |
| 624AL | 24761 | Thread (looper, right hand) Tube Set Screw |
| 164167 | 24761 | Thread (looper) Plate with 624AL..... |
| 164168 | 24761 | Thread (looper) Plate Cover |
| 164206 | ----- | Thread (looper) Plate Cover 164168 with 164169 and 164170..... |
| 164169 | 24761 | Thread (looper) Plate Cover Hinge..... |
| 164170 | 24761 | Thread (looper) Plate Cover Hinge Pin... |
| 164171 | 24761 | Thread (looper) Plate Cover Spring (2)... |
| 332J | 24761 | Thread (looper) Plate Cover Spring Screw (2) |
| 896AL | 24761 | Thread (looper) Plate Screw (2) |
| 164173 | 24761 | Thread (looper) Plate Thread Bushing... |
| 50318W | 24761 | Thread (looper) Plate Thread Bushing Screw..... |
| 164174 | ----- | Thread (looper) Plate complete, Nos. 1423J, 1443J, 1607J, 50318W, 164163, 164164, 164165, 164166, 164167, 164173, 164206 and two each 332J and 164171... |
| 164175 | 24883 | Thread (looper) Take-up..... |
| 164176 | 24883 | Thread (looper) Take-up Plate |
| 190E | 24883 | Thread (looper) Take-up Screw (lower) .. |
| 1443J | 24883 | Thread (looper) Take-up Screw (upper) .. |
| 164151 | 24882 | Thread (needle) Controller..... |
| 164153 | 24882 | Thread (needle) Controller Lever..... |
| 1443J | 24882 | Thread (needle) Controller Screw (2) |
| 164632 | 24886 | Throat Plate..... |
| 164591 | 24886 | Throat Plate Guide with 853AL |
| 1454E | 24886 | Throat Plate Guide Screw |
| 1094F | 24886 | Throat Plate Screw (2) |

FITTINGS

SET OF FITTINGS COMPLETE NO. 164647
For .109 in. Space Between Needles.

NOTE: Set of Fittings No. 164647 is regular to machine, unless otherwise stated on machine order.

| No. | Plate | Name |
|---------|-------|--|
| 164615 | 24887 | Feed (back) Dog Section (left)..... |
| 164616 | 24887 | Feed (back) Dog Section (right) |
| 1100AL | 24887 | Feed (back) Dog Section (right) Screw |
| 164617 | 24887 | Feed (back) Dog complete, Nos. 1100AL, 164615 and 164616 |
| 164618 | 24887 | Feed (front) Dog |
| 164556 | 24887 | Knife (movable) |
| 151X7 | 24887 | Needle (2) |
| 164621 | 24887 | Needle Clamp |
| 51768C | 24887 | Needle Clamping Nut |
| 175032C | 24887 | Needle Clamping Nut Washer |
| 164622 | 24887 | Needle Driving Shaft with 164625 |
| 164684 | ----- | Needle Driving Shaft 164622 with 51768C, 164621, 164685 and 175032C |
| 164685 | 24887 | Needle Holder |
| 164625 | 24887 | Needle Stop Pin |
| 164640 | 24887 | Presser Bar (swing-out) |
| 164626 | 24887 | Presser Foot Body |
| 164146 | 24887 | Presser Foot Chaining-off Finger |
| 164147 | 24887 | Presser Foot Clamping Plate |
| 164360 | 24887 | Presser Foot Guide |
| 50169J | 24887 | Presser Foot Guide Screw |
| 50225J | 24887 | Presser Foot Screw |
| 164627 | 24887 | Presser Foot complete, Nos. 50169J, 50225J, 164146, 164147, 164360 and 164626 |
| 164175 | 24887 | Thread (looper, left hand) Take-up |
| 164091 | 24887 | Thread (looper, right hand) Stripper and Take-up |
| 164151 | 24887 | Thread (needle) Controller |
| 164632 | 24887 | Throat Plate |
| 164591 | 24887 | Throat Plate Guide |
| 164647 | 24887 | Set of Fittings complete, Nos. 164091, 164151, 164175, 164556, 164591, 164617, 164618, 164627, 164632, 164640, 164684 and two Needles (151X7) |

SET OF FITTINGS COMPLETE NO. 164644
For 1/16 in. Space Between Needles.

| No. | Plate | Name |
|--|-------|--|
| 164633 | 24888 | Feed (back) Dog Section (left)..... |
| 164634 | 24888 | Feed (back) Dog Section (right) |
| 1100AL | 24888 | Feed (back) Dog Section (right) Screw |
| 164635 | 24888 | Feed (back) Dog complete, Nos. 1100AL, 164633 and 164634 |
| 164636 | 24888 | Feed (front) Dog |
| 151X9 | ----- | Needles (2) No. 11 |
| 164637 | 24888 | Needle Clamp |
| 51720C | 24888 | Needle Clamping Nut |
| 164622 | 24888 | Needle Driving Shaft with 164625 |
| 164638 | ----- | Needle Driving Shaft 164622 with 51720C, 164637 and 164639 |
| 164639 | 24888 | Needle Holder |
| 164625 | 24888 | Needle Stop Pin |
| 164626 | 24888 | Presser Foot Body |
| 164641 | 24888 | Presser Foot Chaining-off Finger |
| 164147 | 24888 | Presser Foot Clamping Plate |
| 164360 | 24888 | Presser Foot Guide |
| 50169J | 24888 | Presser Foot Guide Screw |
| 50225J | 24888 | Presser Foot Screw |
| 164642 | 24888 | Presser Foot complete, Nos. 50169J, 50225J, 164147, 164360, 164626 and 164641 |
| 164682 | 24888 | Throat Plate (1/8 in. bight) |
| 164644 | 24888 | Set of Fittings complete, Nos. 164635, 164636, 164638, 164642, 164682 and two needles (151X9 No. 11) |
| NOTE: When using Set of Fittings complete No. 164644, the following parts which are not included in this Set of Fittings, are necessary, if machine has previously been fitted other than regular (see Set of Fittings No. 164647) | | |
| 164556 | 24888 | Knife (movable) |
| 164640 | 24888 | Presser Bar (Swing-out) |
| 164175 | 24888 | Thread (looper, left hand) Take-up |
| 164091 | 24888 | Thread (looper, right hand) Stripper and Take-up |
| 164151 | 24888 | Thread (needle) Controller |
| 164591 | 24888 | Throat Plate Guide |

1/16 = .0625

SET OF FITTINGS COMPLETE NO. 164677
For Intermittent Gathering
Knee or Manual Control For Ninon, Organdy, Taffeta
and Cotton Materials.

| No. | Plate | Name |
|--------|-------|--|
| 164671 | 24889 | Feed (back) Dog Section (left) |
| 164672 | 24889 | Feed (back) Dog Section (right) |
| 1100AL | 24889 | Feed (back) Dog Section (right) Screw |
| 164673 | 24889 | Feed (back) Dog complete, Nos. 1100AL, 164671 and 164672 |
| 164674 | 24889 | Feed (front) Dog |
| 164566 | 24889 | Gathering Plate (swing-out, pivoted) |
| 164569 | ----- | Gathering Plate (swing-out, pivoted) complete, Nos. 164566, 164567 and 164568 |
| 164649 | 24889 | Gathering Plate (swing-out, pivoted) Arm |
| 1425J | 24889 | Gathering Plate (swing-out, pivoted) Arm Hinge Screw |
| 42436 | 24889 | Gathering Plate (swing-out, pivoted) Arm Hinge Screw Washer (3) |
| 164573 | 24889 | Gathering Plate (swing-out, pivoted) Arm Holder |
| 164582 | ----- | Gathering Plate (swing-out, pivoted) Arm Holder (adjustable) complete, Nos. 164573, 164581 and two 190J, |
| 50267R | 24889 | Gathering Plate (swing-out, pivoted) Arm Holder Screw (2) |
| 164581 | 24889 | Gathering Plate (swing-out, pivoted) Arm Seat |
| 190J | 24889 | Gathering Plate (swing-out, pivoted) Arm Seat Screw (2) |
| 164567 | 24889 | Gathering Plate (swing-out, pivoted) Holder |
| 164570 | 24889 | Gathering Plate (swing-out, pivoted) Holder Bracket |
| 50004J | 24889 | Gathering Plate (swing-out, pivoted) Holder Bracket Screw (2) |
| 1550J | 24889 | Gathering Plate (swing-out, pivoted) Holder Bracket Screw Nut (2) |
| 934B | 24889 | Gathering Plate (swing-out, pivoted) Holder Screw (2) |
| 164568 | 24889 | Gathering Plate (swing-out, pivoted) Pin |
| 164576 | 24889 | Gathering Plate (swing-out, pivoted) Pull Screw |
| 1143AL | 24889 | Gathering Plate (swing-out, pivoted) Stop Screw |
| 1700C | 24889 | Gathering Plate (swing-out, pivoted) Stop Screw Nut |
| 164650 | ----- | Gathering Plate (swing-out, pivoted) with Arm and Holder complete, Nos. 1143AL, 1425J, 1700C, 164569, 164570, 164576, 164582, 164649, two each 934B, 1550J, 50004J and three 42436 |

| No. | Plate | Name |
|----------|-------|--|
| 164655 | 24889 | Gathering Plate (swing-out, solid) |
| 164656 | 24889 | Gathering Plate (swing-out, solid) with Arm and Holder complete, Nos. 1143AL, 1425J, 1700C, 164576, 164582, 164649, 164655, two each 1550J, 50004J and three 42436 |
| | | NOTE: No. 164656 will be furnished as regular with this Set of Fittings, unless otherwise specified. |
| 164651 | 24889 | Gathering Plate Presser Lever |
| 140210C | 24889 | Gathering Plate Presser Lever Hinge Screw |
| 1521X | 24889 | Gathering Plate Presser Lever Hinge Screw Nut |
| 1377C | 24889 | Gathering Plate Presser Lever Screw Stud (eccentric) |
| 1698X | 24889 | Gathering Plate Presser Lever Screw Stud (eccentric) Nut |
| 24210 | 24889 | Gathering Plate Presser Lever Screw Stud (eccentric) Nut Washer |
| 164652 | 24889 | Gathering Plate Pressure Bracket |
| 164234 | 24889 | Gathering Plate Pressure Bracket Adjusting Slide (cylindrical) |
| 140657K | 24889 | Gathering Plate Pressure Bracket Adjusting Slide Screw |
| 140457C | 24889 | Gathering Plate Pressure Bracket Adjusting Slide Screw Locking Screw |
| 164653 | 24889 | Gathering Plate Pressure Bracket Pressure Spring |
| 51939 | 24889 | Gathering Plate Pressure Bracket Roller |
| 51940 | ----- | Gathering Plate Pressure Bracket Roller complete, Nos. 51939 with 140658F |
| 140658F | 24889 | Gathering Plate Pressure Bracket Roller Screw Stud |
| 1700J | 24889 | Gathering Plate Pressure Bracket Roller Screw Stud Nut |
| 164578 | 24889 | Gathering Plate Pressure Bracket Support |
| 164654 | 24889 | Gathering Plate Pressure Bracket and Support complete, Nos. 1377C, 1521X, 1698X, 1700J, 24210, 51940, 140210C, 140457C, 140657K, 164234, 164578, 164651, 164652 and 164653 |
| 164550 | 24889 | Knife (movable) |
| 164819 | 24889 | Presser Bar (swing-out) |
| 164675 | 24889 | Presser Foot |
| 164564 | 24889 | Presser Foot Cord Guide (spring) |
| 240J | 24889 | Presser Foot Cord Guide Screw |
| 164676 | 24889 | Presser Foot complete, Nos. 240J, 164564 and 164675 |
| 140180J | 24889 | Presser Foot Screw (2) |
| 164580 | 24889 | Tension Extension Plate (2) |
| 140596AL | 24889 | Tension Extension Plate Screw (2) |
| 1700J | 24889 | Tension Screw Stud Nut (2) |

| No. | Plate | Name |
|---|-------|---|
| 164677 | 24889 | Set of Fittings complete, Nos. 164550, 164650 or 164656, 164654, 164673, 164674, 164676, 164819 and two each 1700J, 50267R, 140180J, 140596AL and 164580. |
| NOTE: When using Set of Fittings complete No. 164677, the following parts which are not included in this Set of Fittings, are necessary, if machine has previously been fitted other than regular (see Set of Fittings No. 164647) | | |
| 164375 | 24889 | Looper (right hand). |
| 164175 | 24889 | Thread (looper, left hand) Take-up. |
| 164091 | 24889 | Thread (looper, right hand) Take-up. |
| 164151 | 24889 | Thread (needle) Controller. |
| 164632 | 24889 | Throat Plate. |
| 164591 | 24889 | Throat Plate Guide. |
| NOTE: Feed Eccentric (front) No. 164020 (No. 14 Cam) and Feed Eccentric (back) No. 164020 (No. 4 Cam) Ratio approximately 3 to 1, depending on material being stitched, will be regularly furnished on Machine with this Set of Fittings unless otherwise specified on order. | | |

ACCESSORIES

| No. | Plate | Name |
|--------|-------|--|
| 164203 | 24890 | Feed Eccentric Extractor (Not regularly furnished with machine). |
| 164883 | 24890 | Gauge (Not regularly furnished with machine). |
| 160725 | 24890 | Oil Container. |
| 160727 | 24890 | Oil Container, Nos. 160725 and 160726. |
| 160726 | 24890 | Oil Container Cap. |
| 160728 | 24890 | Oil Container Spout, for use when filling Oil Reservoir. |
| 164198 | 24890 | Presser Bar Lifting Chain Spring (under table). |
| 26026 | 24890 | Screw Driver. |
| 164196 | 24890 | Threader (6). |
| 164204 | 24890 | Tweezers. |
| 164197 | 24890 | Wrench (socket). |
| 164831 | 24890 | Wrench for 1700. |
| 8908 | 24890 | Wrench (flat). |

BELT GUARD (Adjustable)

| No. | Plate | Name |
|--------|-------|--|
| 164183 | 24866 | Belt Guard. |
| 164199 | 24866 | Belt Guard Bracket (back). |
| 164200 | 24866 | Belt Guard Bracket (front). |
| 51326J | 24866 | Belt Guard Screw (2). |
| 164201 | 24866 | Belt Guard (adjustable) complete, Nos. 164183, 164199, 164200 and two each 51326J and wood screws 3/4 in. No. 7 F.H. |

CHIP CHUTE

| No. | Plate | Name |
|--------|-------|--|
| 168198 | 24866 | Chip Chute with four wood screws 3/8 in. No. 6 R.H. blacked. |

FOOT LIFTER PARTS

| No. | Plate | Name |
|--|-------|---|
| 6439 | 24866 | Chain, 36 in. to 45 in., with 56864 and 56865. |
| NOTE: When ordering No. 6439, give length required | | |
| 4879 | 24866 | Chain Connecting Link. |
| 56864 | 24866 | Chain Hook (large). |
| 56865 | 24866 | Chain Hook (small). |
| 4881 | 24866 | Treadle. |
| 4882 | 24866 | Treadle Shaft. |
| 4883 | ----- | Treadle Spring. |
| 4884 | 24866 | Treadle Stand. |
| 4885 | 24866 | Treadle complete, Nos. 4879, 4881, 4882, 4883, 4884 and two wood screws 1 in. No. 16 F.H. |

MACHINE BASE

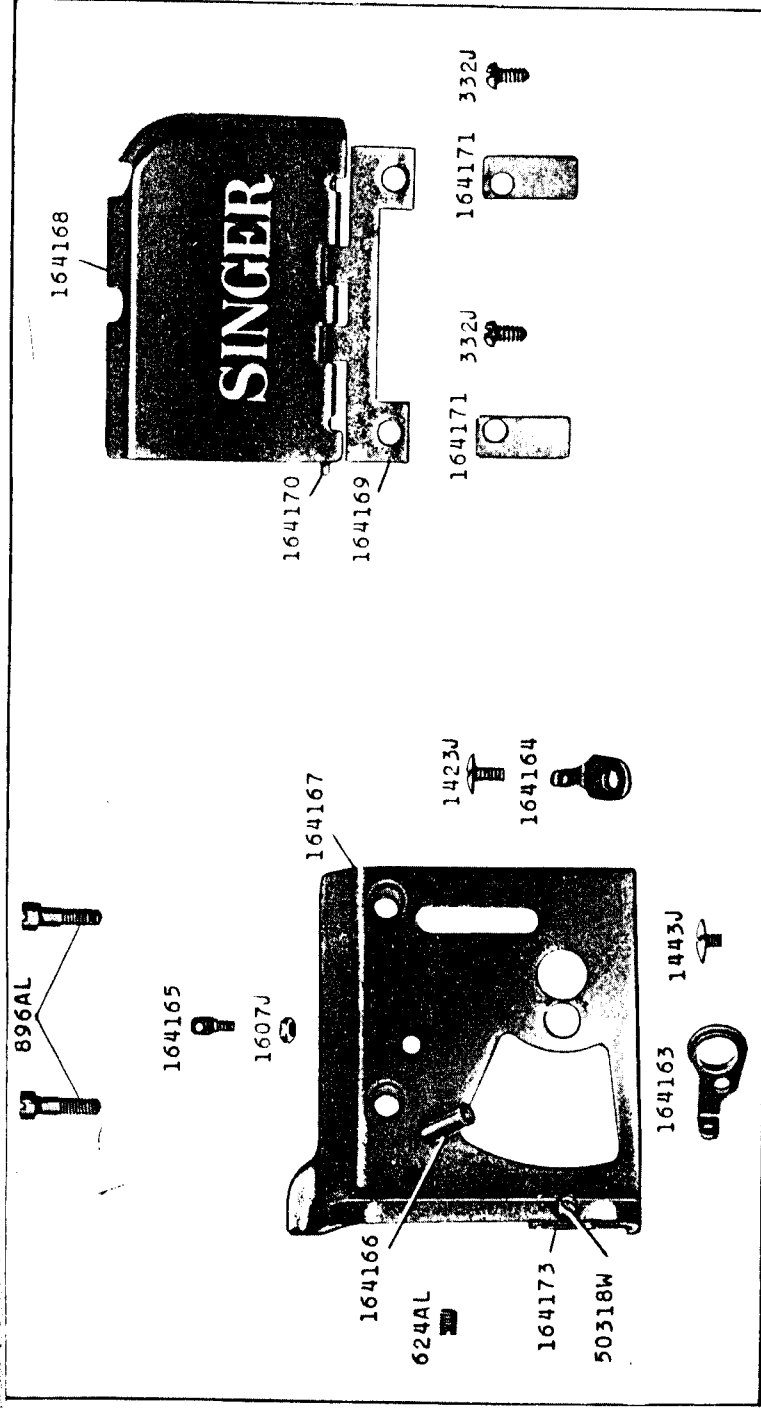
| No. | Plate | Name |
|---------|-------|---|
| 164184 | 24866 | Machine Base and two each wood screws 3/4 in. No. 8 R.H. and 1-1/4 in. No. 6 F.H. |
| 164188 | 24866 | Machine Cushion (large) (2). |
| 164189 | 24866 | Machine Cushion (small) (2). |
| 164190 | 24866 | Machine Pad (felt). |
| 140418E | 24880 | Machine Screw Stud (back). |
| 657E | 24880 | Machine Screw Stud (front). |

THREAD UNWINDER NO. 151163
FOR FOUR SPOOLS

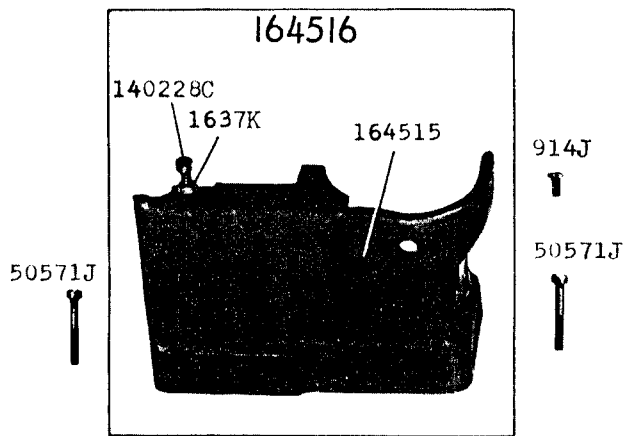
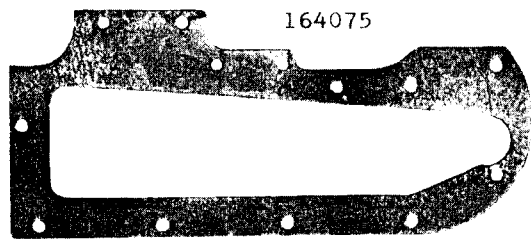
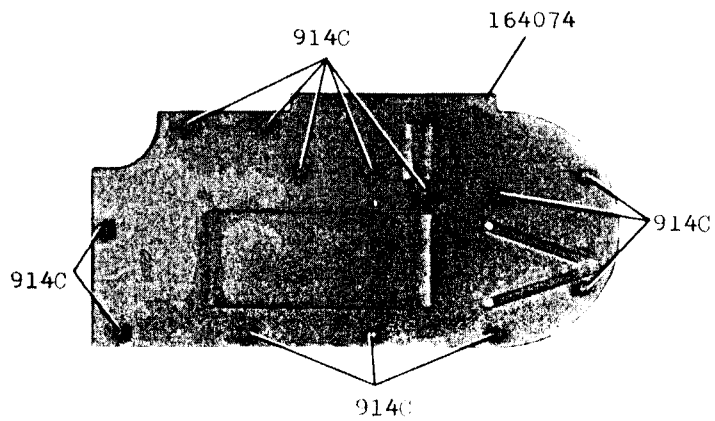
| No. | Plate | Name |
|---------|-------|---|
| 228692 | 24867 | Spool Pin (3)..... |
| 228764 | 24867 | Spool Pin..... |
| 201528X | ----- | Spool Pin Nut (3)..... |
| 395243 | ----- | Spool Pin Washer (3)..... |
| 151023 | 24867 | Spool Rest with 858AL and three each 201528X, 228692 and 395243(three spools) |
| 228765 | 24867 | Spool Rest with 201254C (one spool)..... |
| 150203 | 24867 | Spool Rest Cushion (felt) (4)..... |
| 858AL | 24867 | Spool Rest Hub Set Screw..... |
| 151024 | 24867 | Spool Rest Rod..... |
| 1122C | 24867 | Spool Rest Rod Set Screw (2)..... |
| 201254C | 24867 | Spool Rest Set Screw..... |
| 151025 | 24867 | Spool Rest Stand with two 1122C and three wood screws 1 in. No. 12 F.H..... |
| 151026 | 24867 | Thread Guide (lower)..... |
| 50311C | 24867 | Thread Guide (lower) Holder Set Screw... |
| 151027 | 24867 | Thread Guide (lower) Support with 50311C |
| 151028 | 24867 | Thread Guide (upper, hollow) (2)..... |
| 151162 | 24867 | Thread Guide (upper, solid)..... |
| 151029 | 24867 | Thread Guide (upper) Holder with four 453AL..... |
| 453AL | 24867 | Thread Guide Set Screw (3)..... |
| 151030 | 24867 | Thread Guide Rod..... |
| 453AL | 24867 | Thread Guide Rod Set Screw..... |
| 151163 | 24867 | Thread Unwinder complete, Nos. 151023, 151024, 151025, 151026, 151027, 151029, 151030, 151162, 228764, 228765, two 151028 and four 150203..... |

NUMERICAL LIST OF PARTS

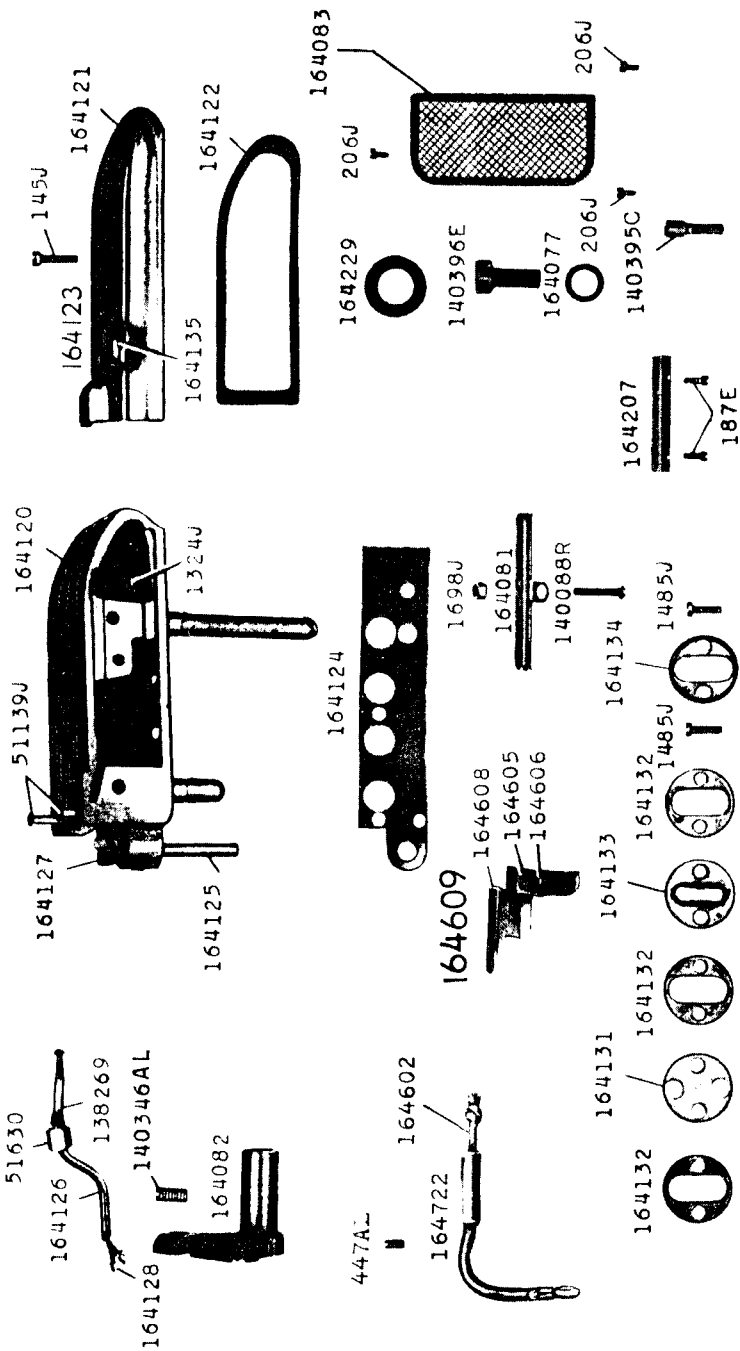
| No. | Plate | Name |
|-------|-------|--|
| 145J | 24860 | Oil Cooler Cover Screw..... |
| 157C | 24879 | Feed Eccentric Cover Bracket Screw..... |
| 157AL | 24880 | Needle Driving Shaft Crank Connection Cap (lower) Screw for 164217..... |
| 171AL | 24880 | Looper (left hand) Driving Shaft Crank Connection Cap (lower) Screw for 164052..... |
| 171AL | 24880 | Looper (right hand) Driving Shaft Crank Connection Cap (lower) Screw for 164052..... |
| 171AL | 24880 | Needle Driving Shaft Crank Connection Cap (upper) Screw for 164217..... |
| 187E | 24860 | Machine Frame Bracket Key Screw for 164528..... |
| 187E | 24883 | Thread (looper, right hand) Stripper and Take-up..... |
| 190J | 24889 | Gathering Plate (swing-out, pivoted) Arm Seat Screw for 164582..... |
| 190E | 24882 | Knife (stationary) Holder Adjusting Stud Cap Screw..... |
| 190E | 24883 | Thread (looper) Take-up Screw (lower) .. |
| 197J | 24881 | Knife (movable) Lever Guide Screw for 164824..... |
| 198J | 24882 | Knife (movable) Holder Screw..... |
| 206J | 24860 | Machine Frame Oil Screen Screw..... |
| 227J | 24879 | Feed Eccentric Cover Latch Spring Screw for 164521..... |
| 240J | 24889 | Presser Foot Cord Guide Screw for 164676..... |
| 330J | 24885 | Machine Frame Top Cover Oil Lead Screw for 164214..... |
| 332J | 24761 | Thread (looper) Plate Cover Spring Screw for 164174..... |
| 447AL | 24882 | Knife (movable) Lever Bearing Set Screw (long)..... |
| 447AL | 24881 | Knife (movable) Lever Guide Holder Thread Tube Set Screw..... |
| 447AL | 24882 | Knife (movable) Lever Hinge Stud Set Screw (back)..... |
| 447AL | 24860 | Machine Frame Oil Tube Set Screw..... |
| 448AL | 24880 | Machine Pulley Set Screw for 164231..... |
| 452AL | 24884 | Needle Driving Shaft Bushing Oil Lead Hole Plug Screw..... |
| 453AL | 24867 | Thread Unwinder Thread Guide Set Screw for 151029..... |
| 453AL | 24867 | Thread Unwinder Thread Guide Rod Set Screw for 151029..... |
| 460AL | 24883 | Looper (left hand) Carrier Screw Set Screw for 164046..... |
| 462AL | 24883 | Looper (right hand) Carrier Connection Guide Bar Set Screw for 164597..... |



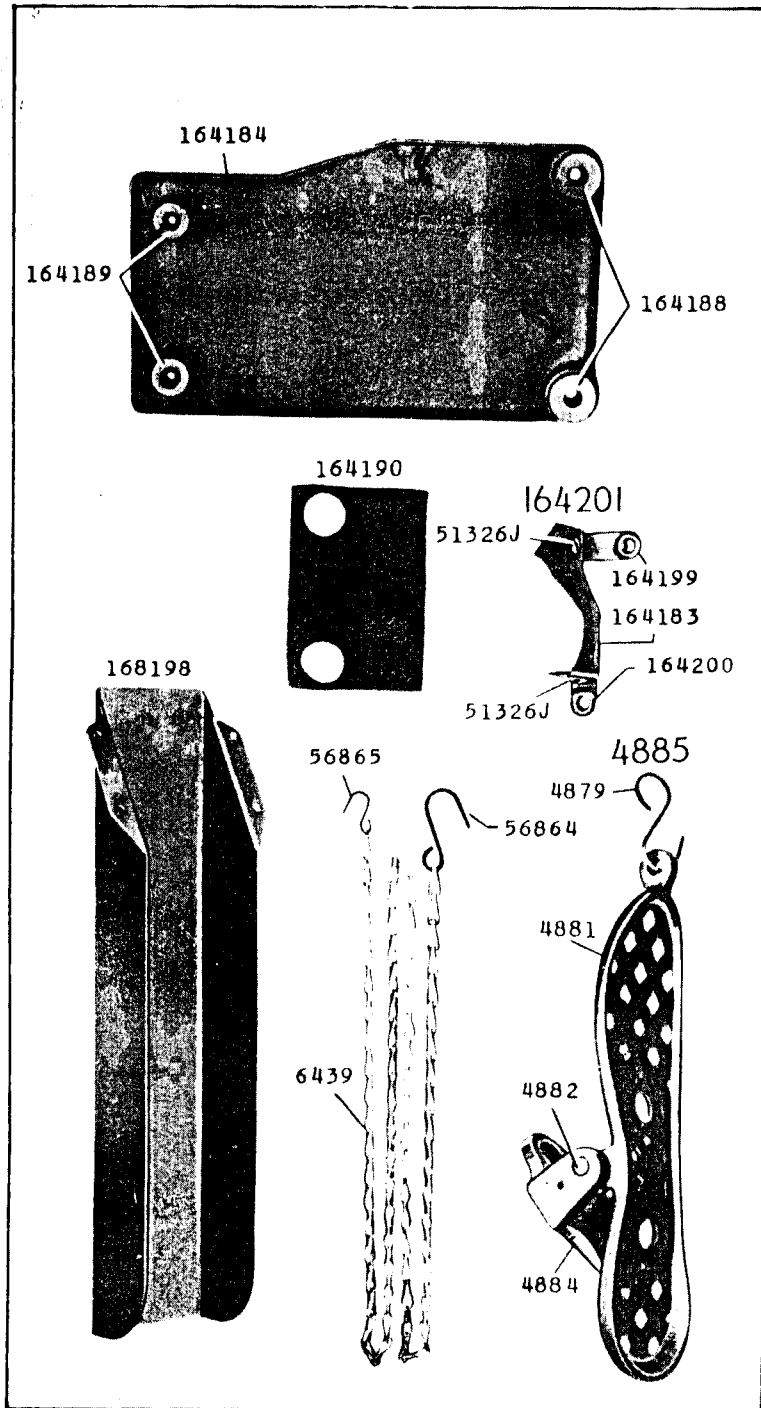
24813-1/3



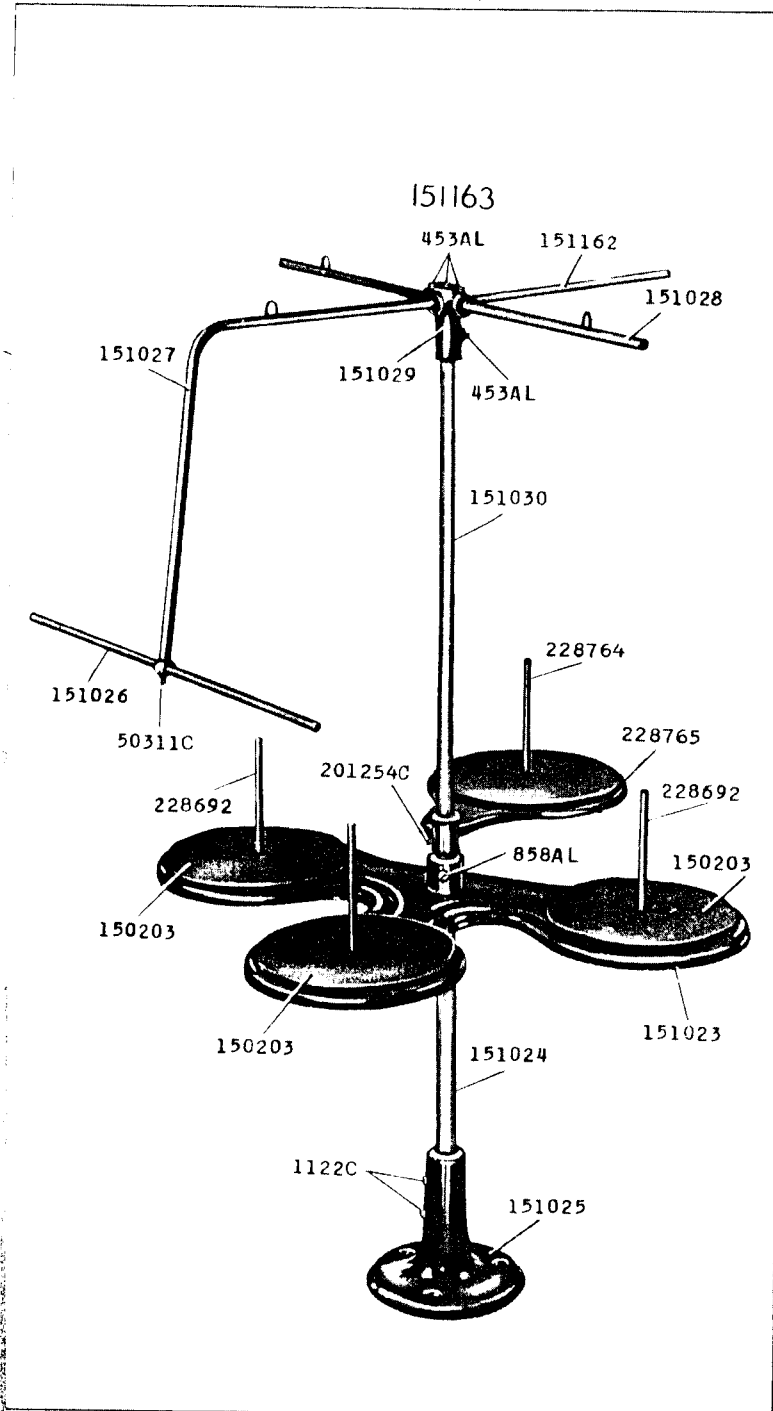
24860-1/3



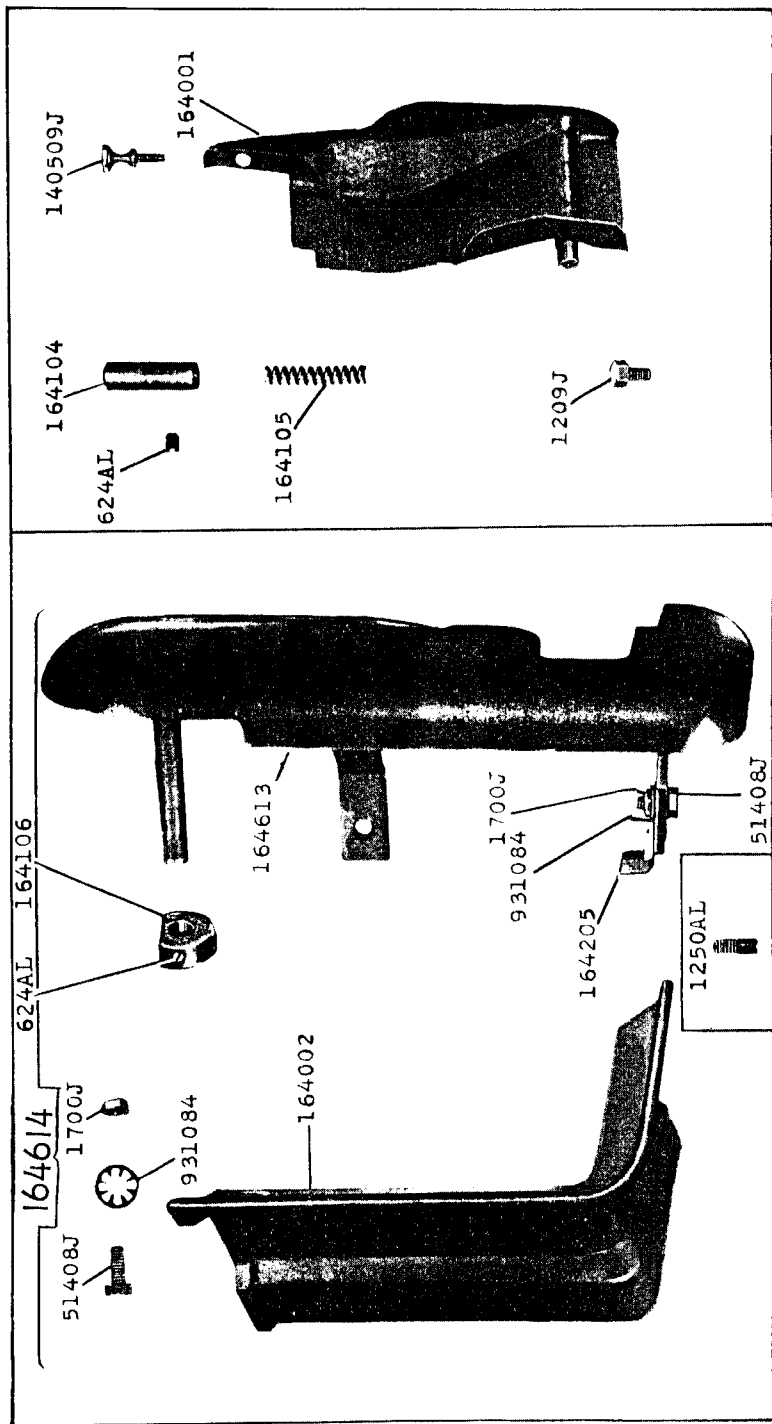
24866 - 1/4



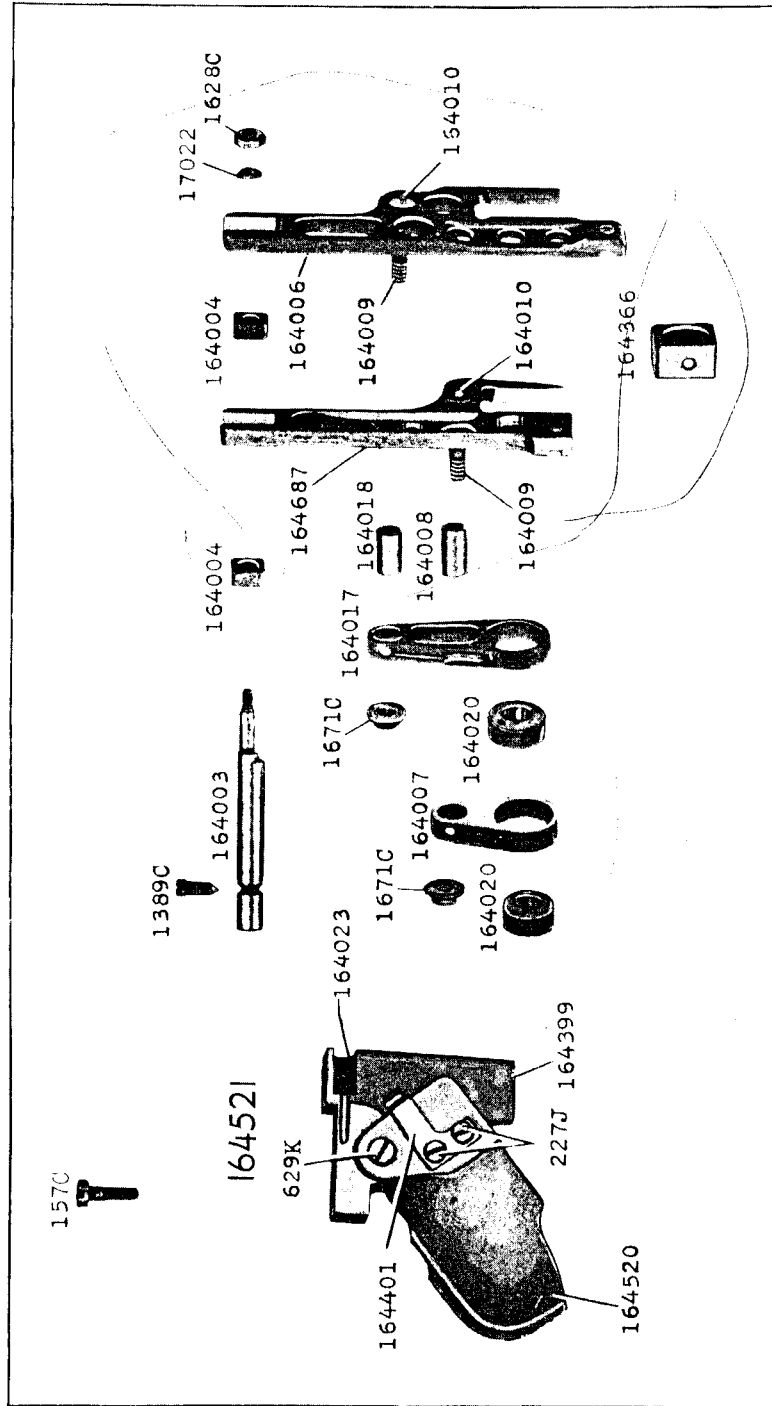
24867 - 1/6



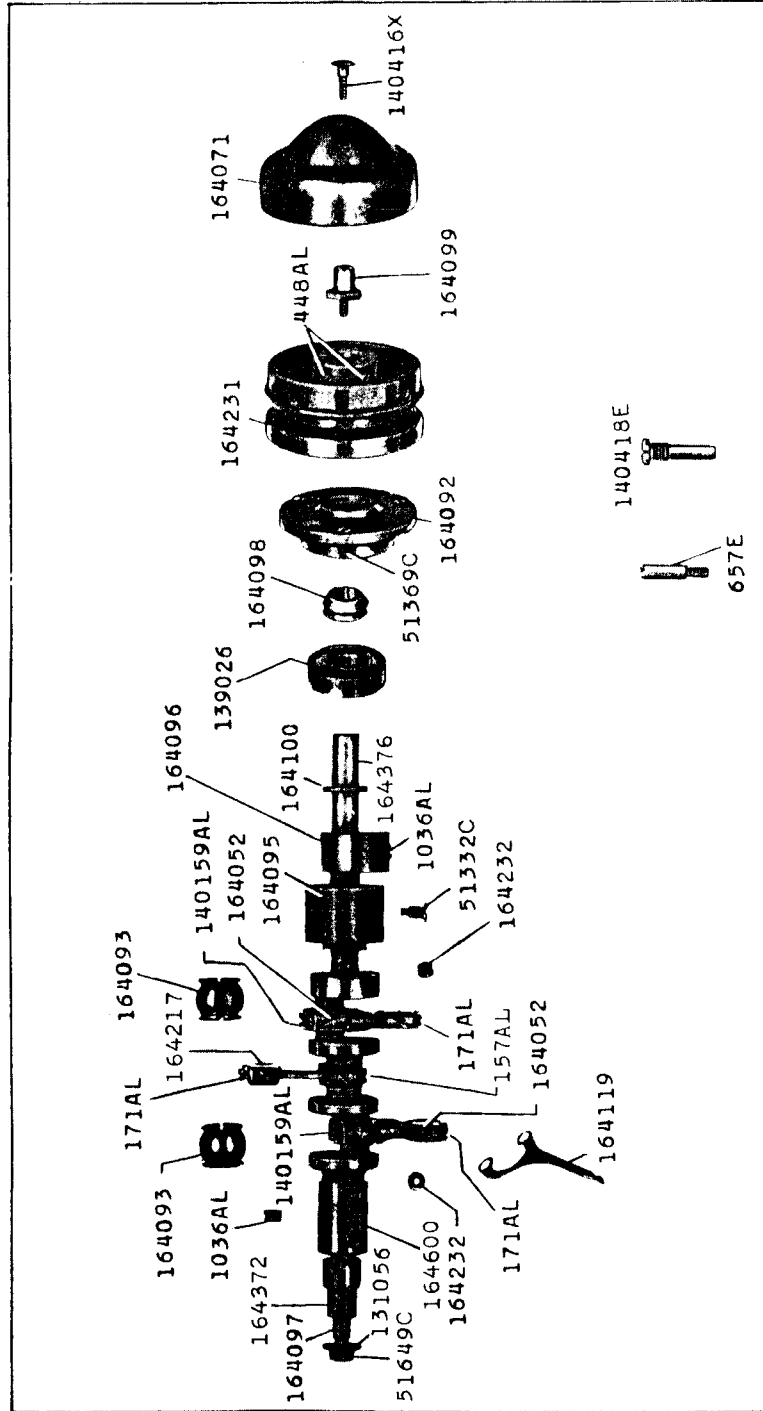
24878 1/2



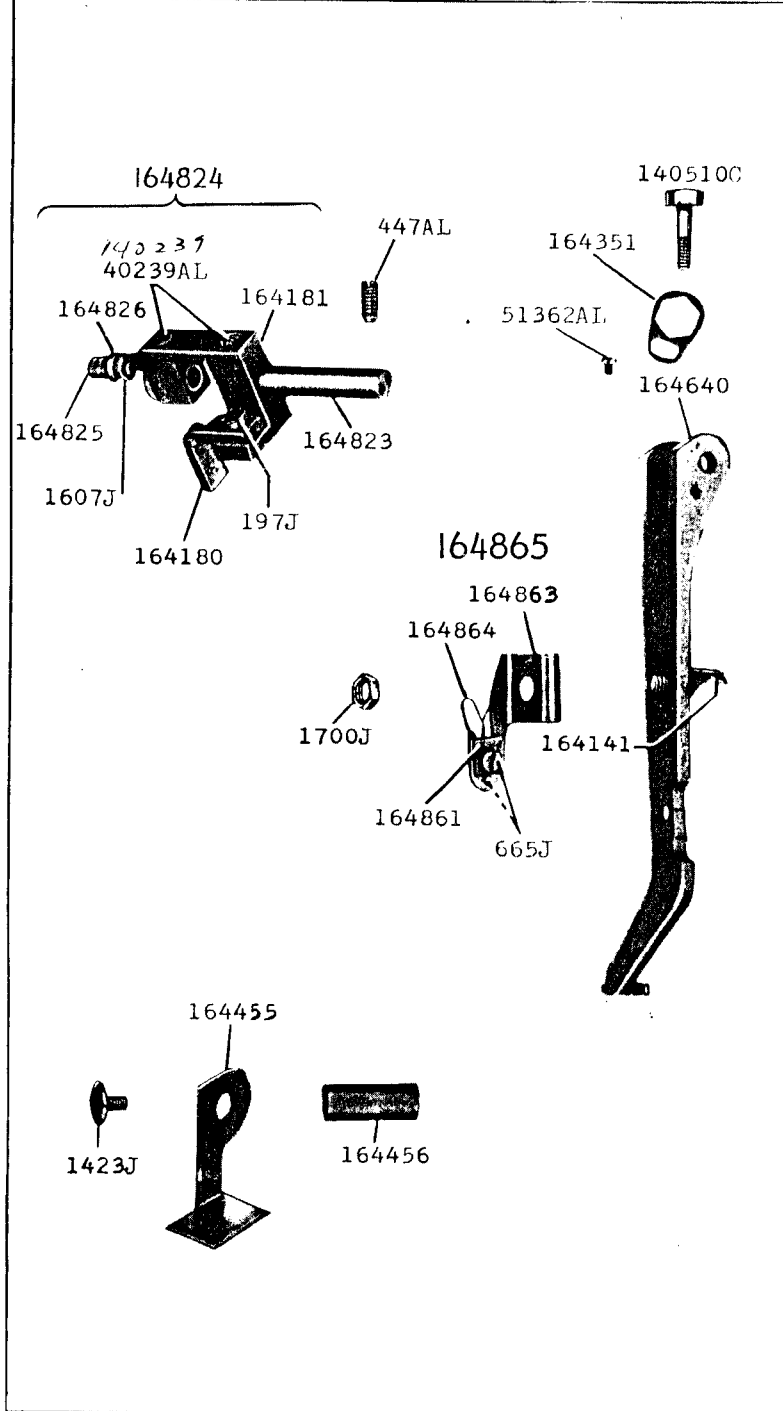
24879 1/2



24880 1/3



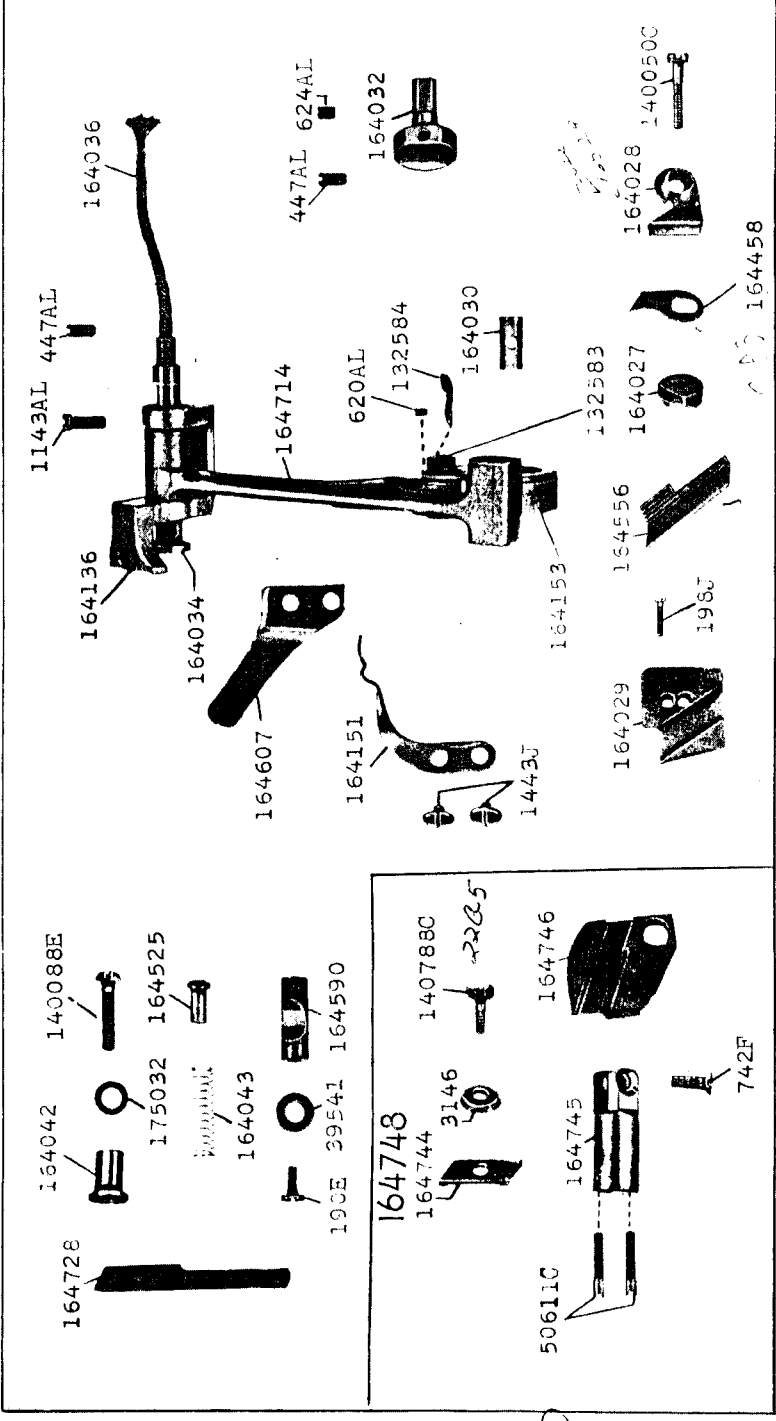
24881 2/3



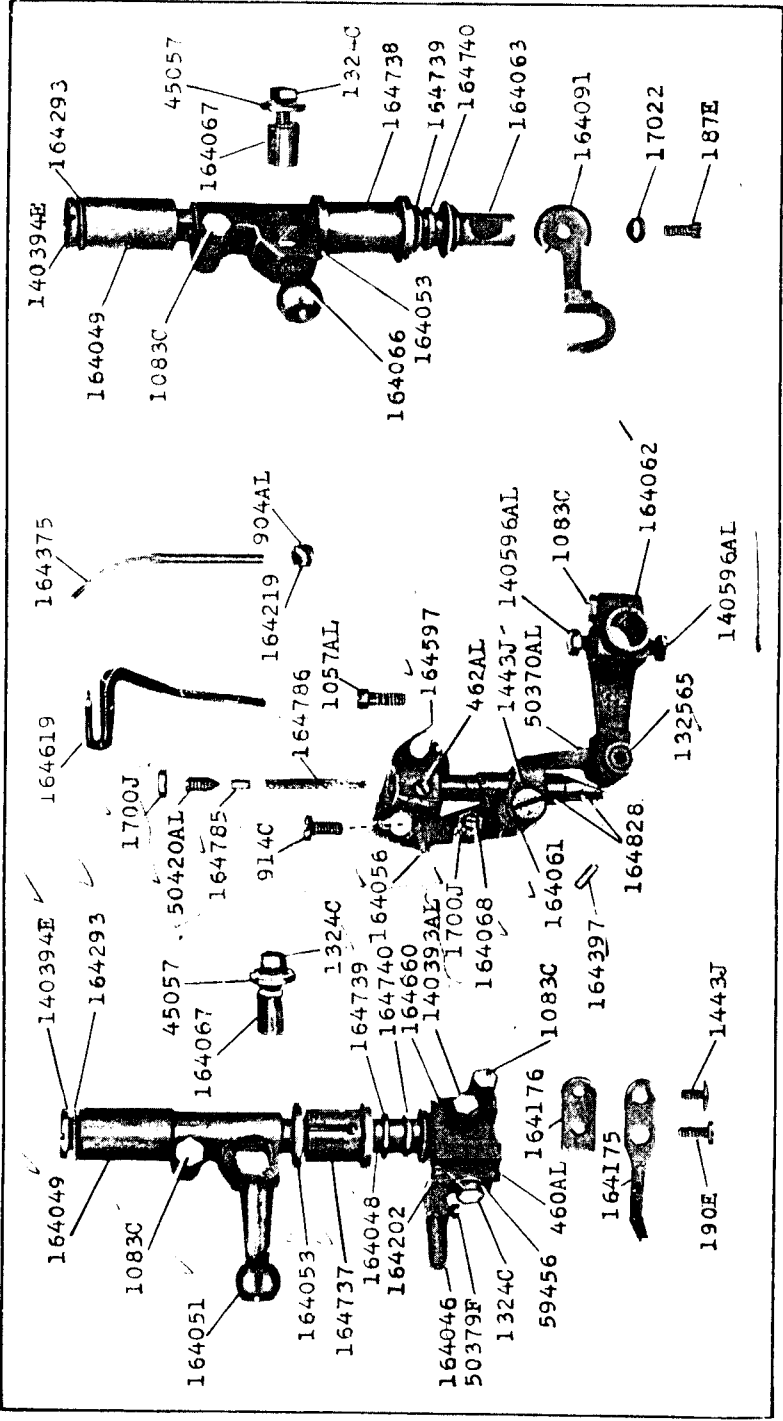
24825

24882 1/2

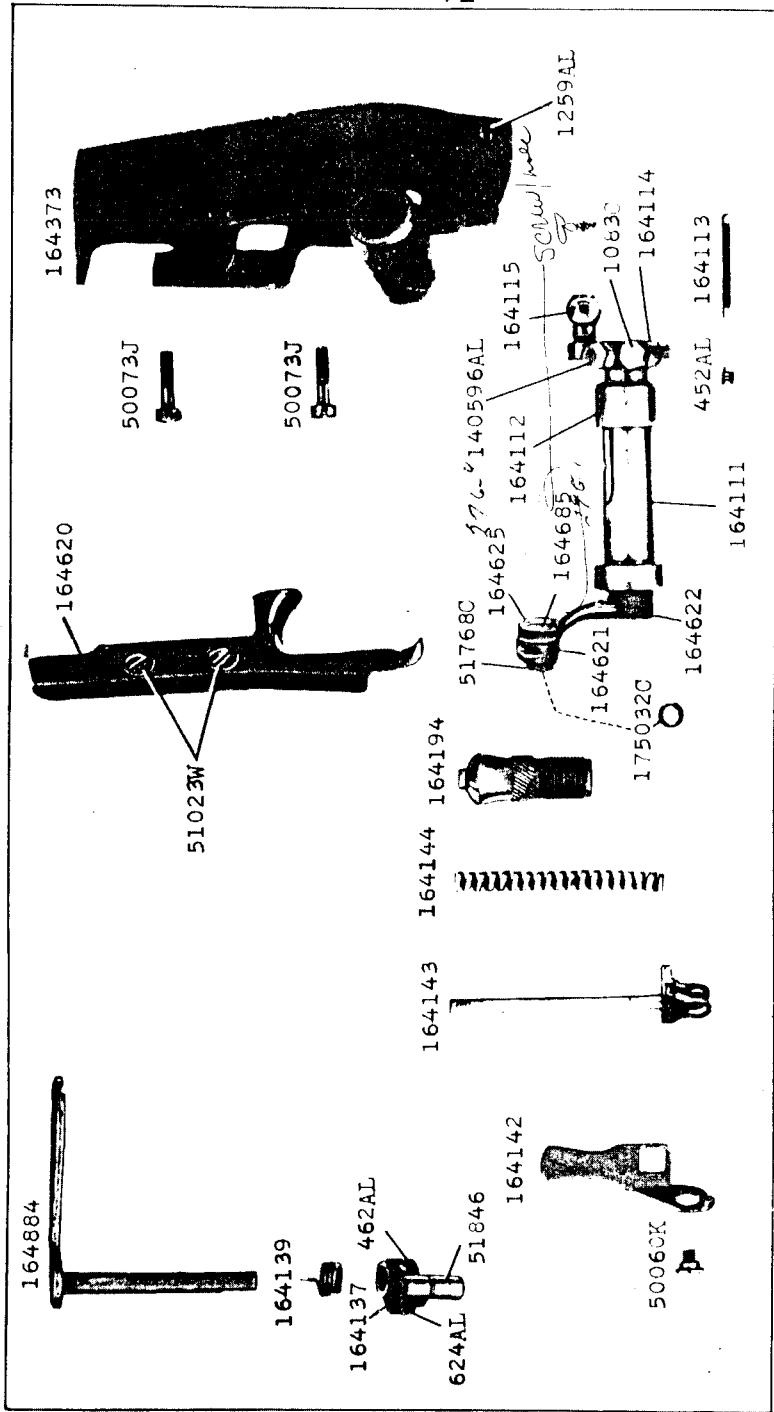
1653
TAS



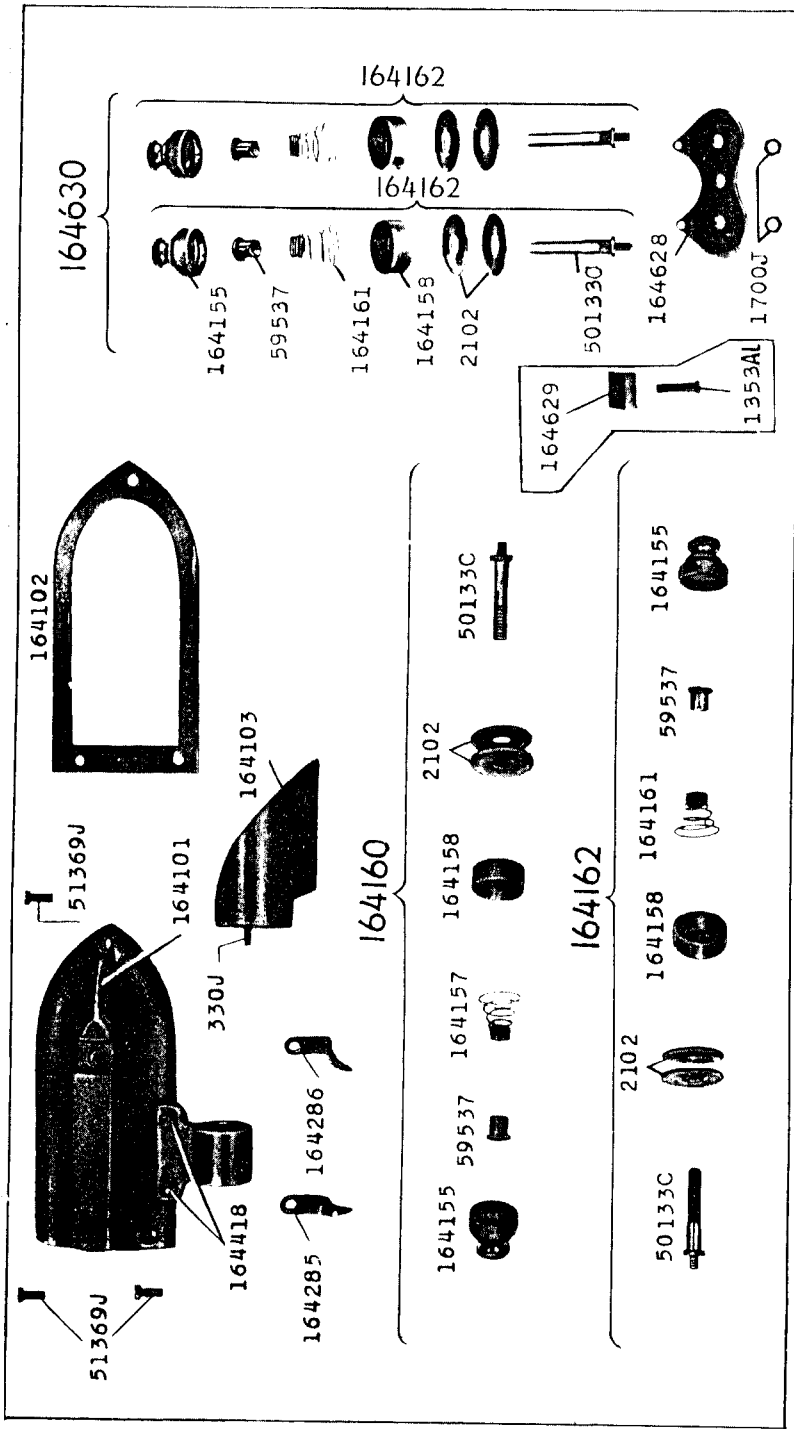
24883 1/2



24884 1/2



24885 1/3

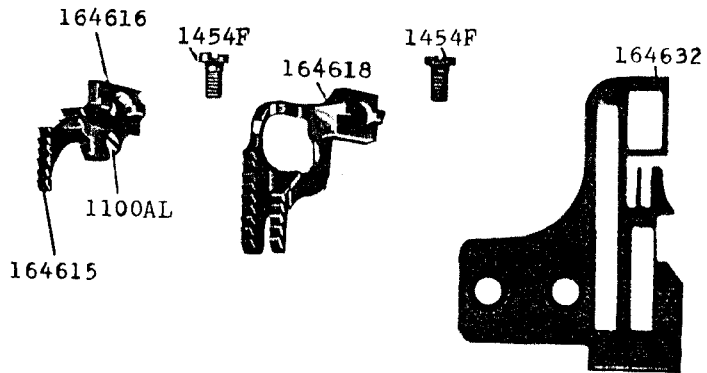


24886 2/3

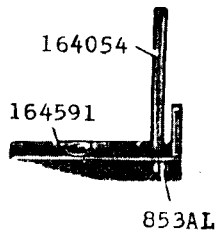
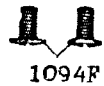
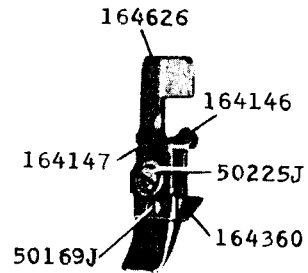
24887 1/2

164647

164617

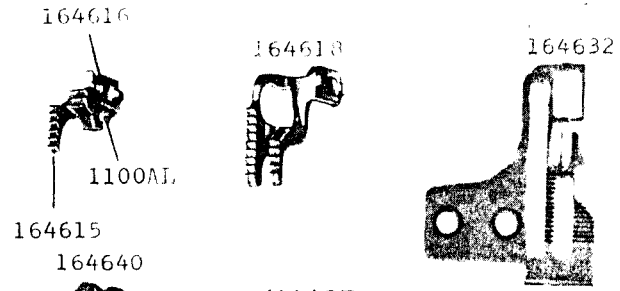


164627

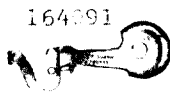
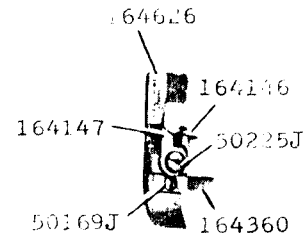


164902
gathering foot
similar to 164548
On 246-13

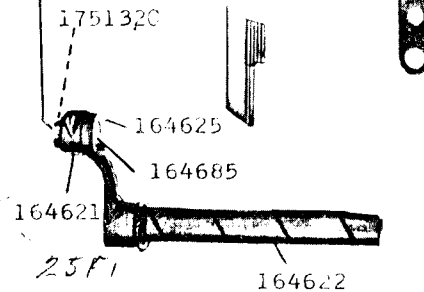
164617



164627



51768C



164656

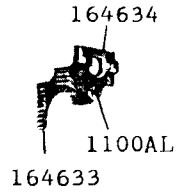
164151

164175

24888 1/2

164644

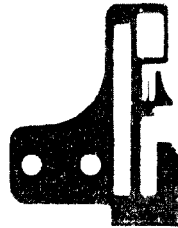
164635



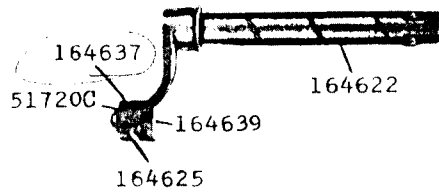
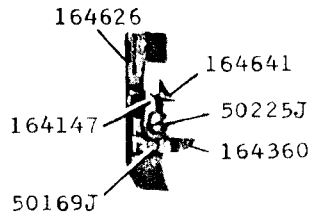
164636



164682



164642



164151



164175



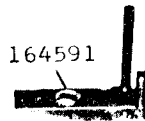
164091



164556

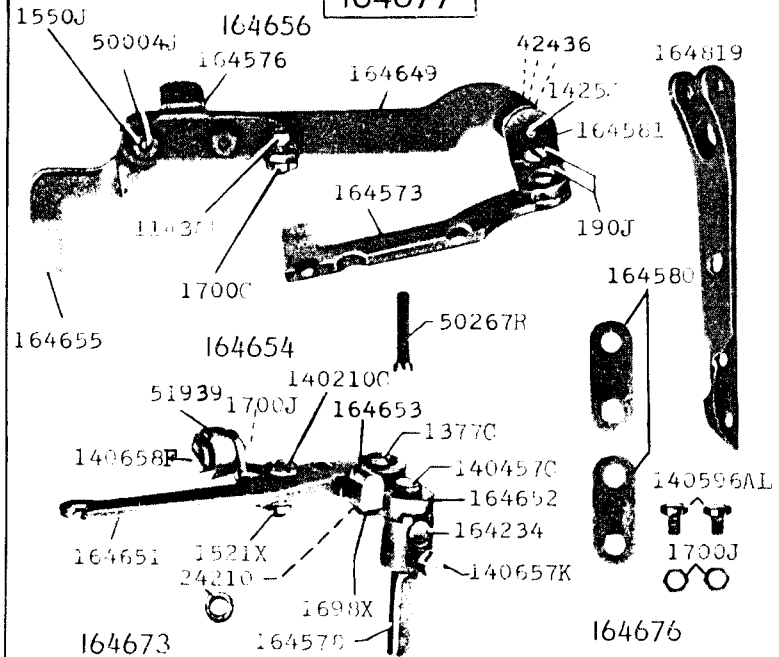


164640

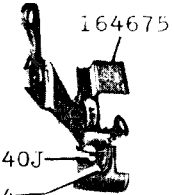


24889 1/2

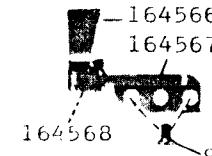
164677



164676



164550



164151



164175



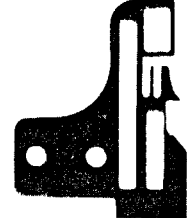
164091



164375



164632



24890 1/2

